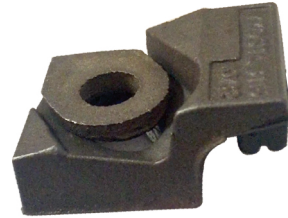


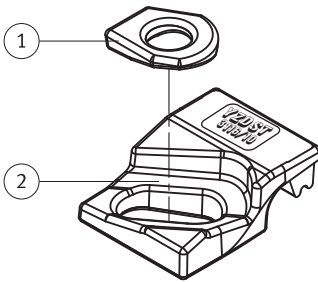
# 3116/10

## The Boltable Clip

The (GANATRIL DESIGNE) 3116/10 adjustable crane rail clip is designed to fix Light rails in the most arduous applications , it can Withstand a horizontal force from the rail of 38 KN (3.9 tonnes ) its low profile allows it to be used with cranes that are fitted with guide rollers .



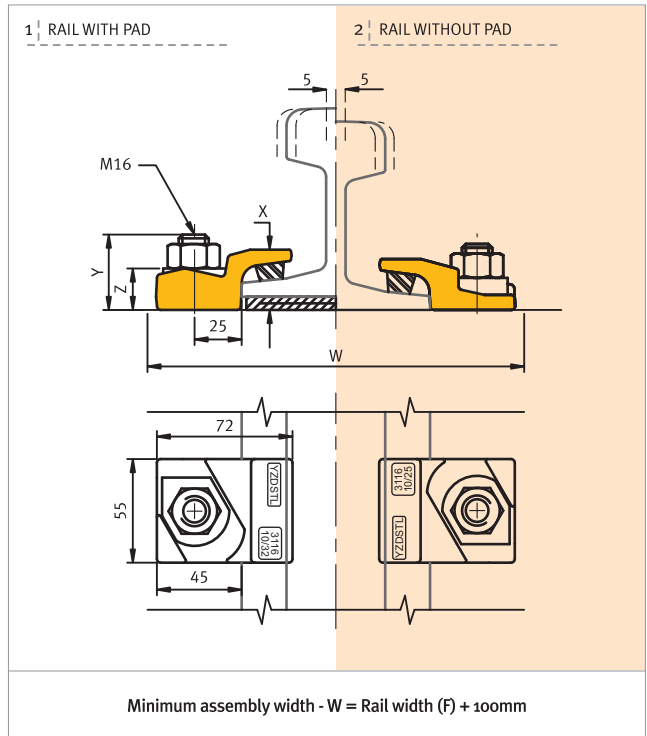
### COMPONENTS



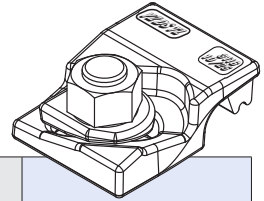
1. Special washer
2. Clip with integral rubber block

### FEATURES

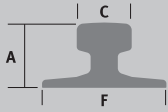
- The proven design has been used successfully for many years throughout the world.
- The clip is bolted to the rail support.
- The two main parts are locked together on tightening the nut.
- A special vulcanised rubber block applies a controlled force to the rail.



REF NO.	X (mm)	Y (FULL NUT)	Y (FULL NUT)	Z	WEIGHT kg	side load MAX(KN)	Tightening torque MAX(NM)
3116/10/25	25	35	30	19	0.32	for Gr 8.8 bolt 38 KN for Gr 4.6 bolt 16 KN	for Gr 8.8 bolt 200 KN for Gr 4.6 bolt 75 KN
3116/10/32	32	40	35	26	0.38		

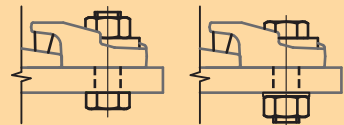


جدول انتخاب کلمپ بر اساس بکارگیری یا عدم بکارگیری پدهای زیر ریل

	F mm	C mm	A mm	1. CLIP REFERENCE FOR RAIL WITH PAD	2. CLIP REFERENCE FOR RAIL WITHOUT PAD
A 45	125	45	55	3116/10/32	3116/10/25
A 55	150	55	65	3116/10/32	3116/10/25
A 65	175	65	75	3116/10/32	3116/10/25
S 14	70	38	80	3116/10/32	3116/10/25
S 20	82	44	100	3116/10/32	3116/10/25
S 30	108	60	108	3116/10/32	3116/10/25
S 41	125	67	138	3116/10/32	3116/10/25
BS 50 '10'	100	52	100	3116/10/32	3116/10/25
AFNOR 26	100	50	110	3116/10/32	3116/10/25
AFNOR 30	106	56	126	3116/10/32	3116/10/25
ASCE 60	108	60	108	3116/10/32	3116/10/25
ASCE 80	127	64	127	3116/10/32	3116/10/25
ASCE 85	132	65	132	3116/10/32	3116/10/25
ISCOR 22	95	50	95	3116/10/32	3116/10/25
ISCOR 30	110	57	110	3116/10/32	3116/10/25
JIS 37	122	63	122	3116/10/32	3116/10/25
JIS 40	122	64	140	3116/10/32	3116/10/25
15 kg.m BHP	79	43	79	3116/10/32	3116/10/25
22 kg.m BHP	94	51	94	3116/10/32	3116/10/25

**THIS CLIP CAN BE USED FOR A WIDER SELECTION OF RAILS THAN ILLUSTRATED.**  
All rails can be fastened with bolted or welded base clips.

### BOLT CONFIGURATIONS



### POSITIONING OF SPECIAL WASHER

