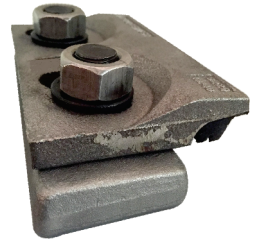


9220/18

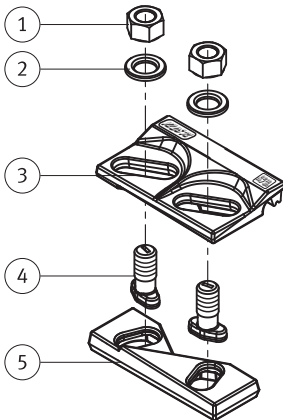
Welded Base Fixing

The (GANATRIL DESIGNE) 9220/18 adjustable crane rail clip is designed to fix the largest rails in the most arduous applications , it can Withstand a horizontal force from the rail of 200 KN (20.4 tonnes) its low profile allows it to be used with cranes which are fitted with guide rollers The clip can be used for rail type : A100, A120, A150, Cr100, Mrs87 CR164,MRS125,171CRANF,QU120...

For more Information Please See next page.



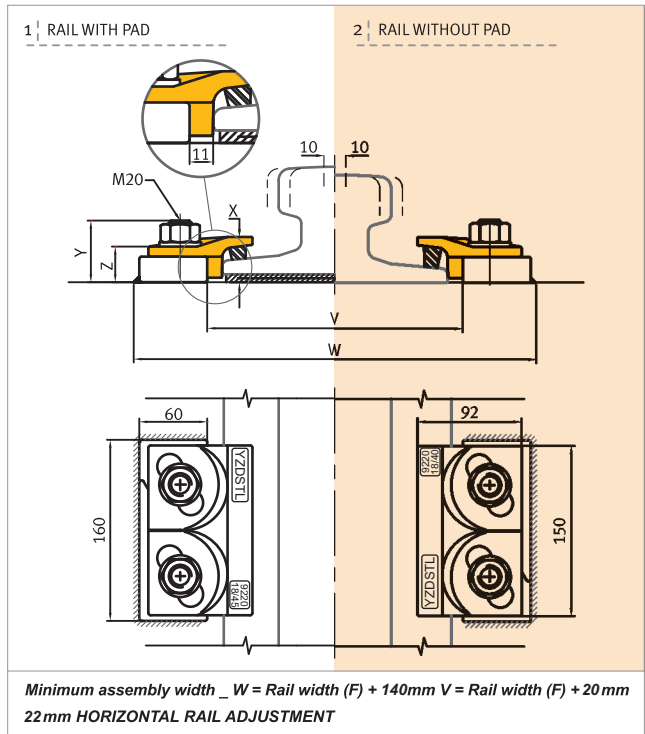
COMPONENTS



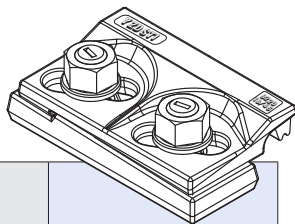
FEATURES

- 1 - M20 hexagon NUT Cl.8
- 2 - M20 hardened flat washer DIN 6919
- 3 - upper part material:
ductile cast iron ASTM A 536
- 4 - M20T head bolt 8.8
- 5 - lower part material:
Forged steel S275JR


- The two main parts are locked Together on tightening
- The clip has a self-tightening mechanism.
- A special vulcanised rubber block applies a controlled force To the rail.



REF NO.	X (mm)	Y (mm)	Z (mm)	WEIGH kg	SIDE Load Max	Tightening Torque N/M
9220/18/40	40	57	33	2.480	200 KN	250 N/M
9220/18/45	45	57	33	2.50	200 KN	250 N/M



جدول انتخاب کلمپ بر اساس بکارگیری یا عدم بکارگیری پدهای زیر ریل

	F mm	C mm	A mm	1. CLIP REFERENCE FOR RAIL WITH PAD	2. CLIP REFERENCE FOR RAIL WITHOUT PAD
A 100	200	100	95	9220/18/40	9220/18/40
A 120	220	120	105	9220/18/40	9220/18/40
A 150	220	150	150	9220/18/45	9220/18/40
89 kg CR	178	102	114	9220/18/45	9220/18/40
164 kg CR	230	140	150	9220/18/45	9220/18/45
MRS 86	165	102	102	9220/18/40	9220/18/40
MRS 87 A (PRI85R)	152	102	152	9220/18/45	9220/18/40
MRS 125	180	120	180	9220/18/45	9220/18/45
MRS 192	229	140	157	9220/18/45	9220/18/45
MRS 221	220	220	160	9220/18/45	9220/18/40
ISCR 100	150	102	150	9220/18/40	9220/18/40
ISCR 120	170	120	170	9220/18/45	9220/18/45
ISCR 140	170	140	170	9220/18/45	9220/18/45
QU 100	150	100	150	9220/18/40	9220/18/40
QU 120	170	120	170	9220/18/45	9220/18/40
ISCOR 57	140	70	165	9220/18/40	9220/18/40
CR 73	140	100	135	9220/18/40	9220/18/40
CR 100	155	120	150	9220/18/45	9220/18/40
73 kg AS	146	70	157	9220/18/45	9220/18/40
86 kg AS	165	102	102	9220/18/45	9220/18/40

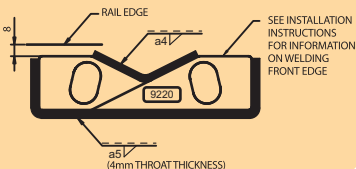
INSTALLATION INSTRUCTIONS:

Weld all round the clip base, except the side closest and parallel to the rail, with a 5mm throat thickness fillet weld, using low hydrogen electrodes.

Recommended electrodes AWS E7018 or E 6013. Clip base is made from weldable grade steel.

if a continuous weld around the clip base is required , this is possible.

WELD DETAIL



فامسله بین کلمپها بر اساس ماکزیم نیروهای جانبی حداقل ۵ سالتاتی متر

و حداکثر ۸ سالتاتی متر توصیه می گردد.

کلیه محصولات از ابتدای سده به مدت ۱۸ ماه از زمان نصب تحت شرایط استاندارد دارای گارانتی می باشند